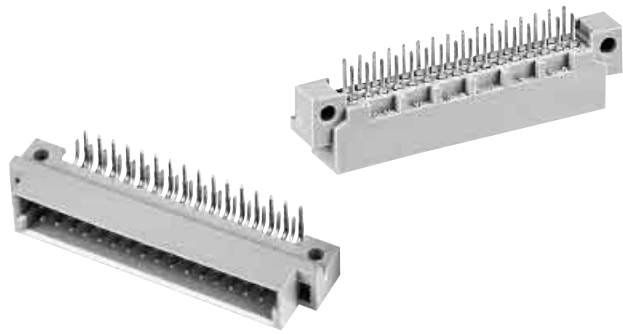


Number of contacts

32

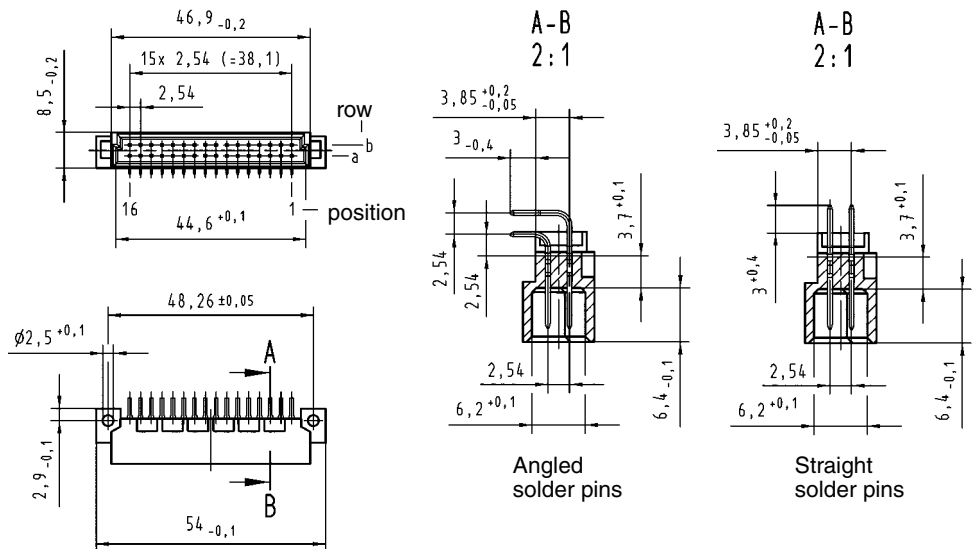
CTI > 400



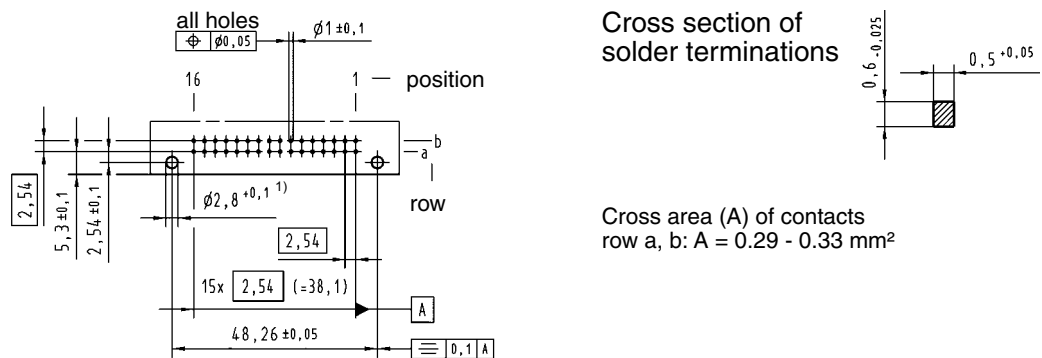
Male connectors

Identification	Number of contacts	Contact arrangement	Part No.	Performance levels according to IEC 60 603-2.	
				3	2 1
Male connector with angled solder pins without clip with clip	32		Performance level 3 on request	09 22 132 6919	Performance level 1 on request
	32			09 22 332 6919	
Male connector with straight solder pins	32			09 22 132 6920	

Dimensions



Board drillings
Mounting side



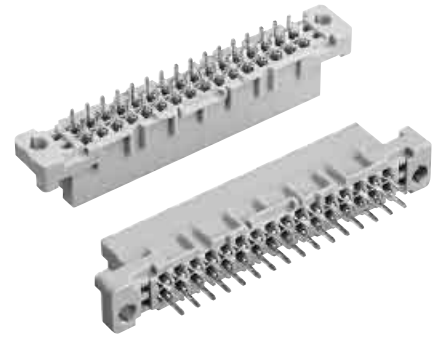
Dimensions in mm

¹⁾ Recommendation for variants with clip: Drillings can be enlarged up to 3.1 mm ϕ to reduce standard mounting force

Number of contacts

32

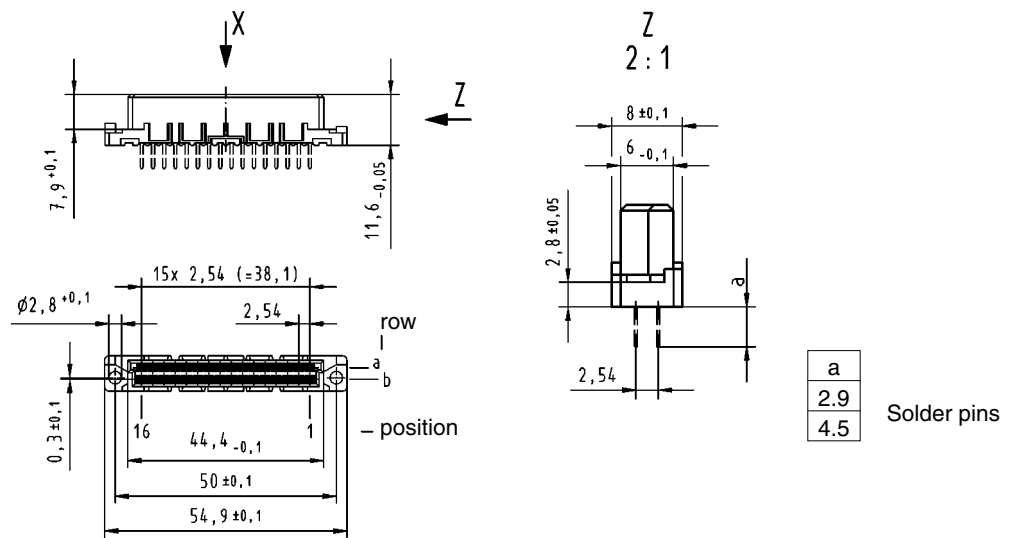
CTI > 400



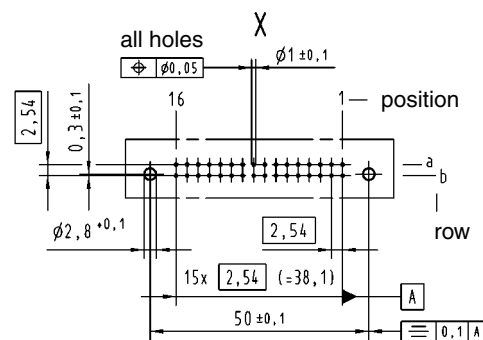
Female connectors

Identification	Number of contacts	Contact arrangement	Part No.	Performance levels according to IEC 60 603-2.		
				3	2	1
Female connector with solder pins 2.9 mm	32		Performance level 3 on request	09 22 232 6841	Performance level 1 on request	
Female connector with solder pins 4.5 mm	32			09 22 232 6829		

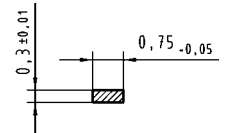
Dimensions



Board drillings
Mounting side



Cross section of solder terminations



Cross area (A) of contacts row a, b: A = 0.20 - 0.23 mm²

Number of contacts

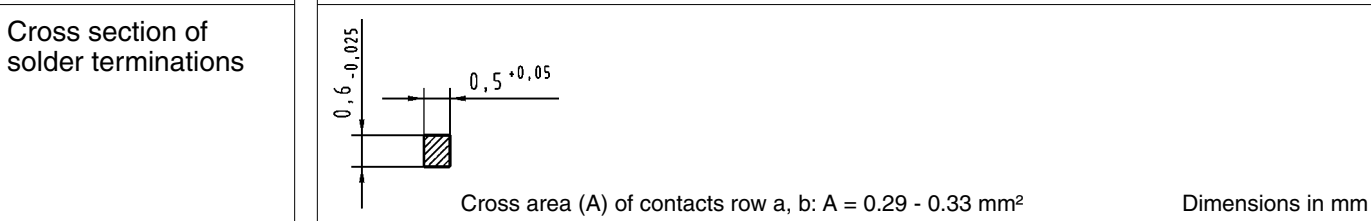
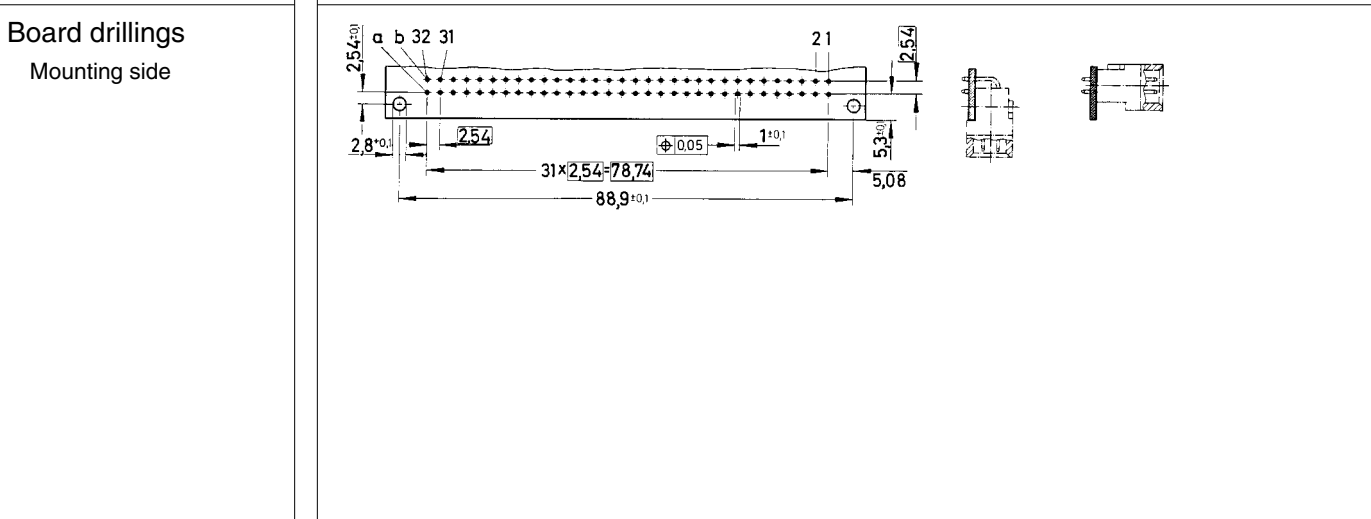
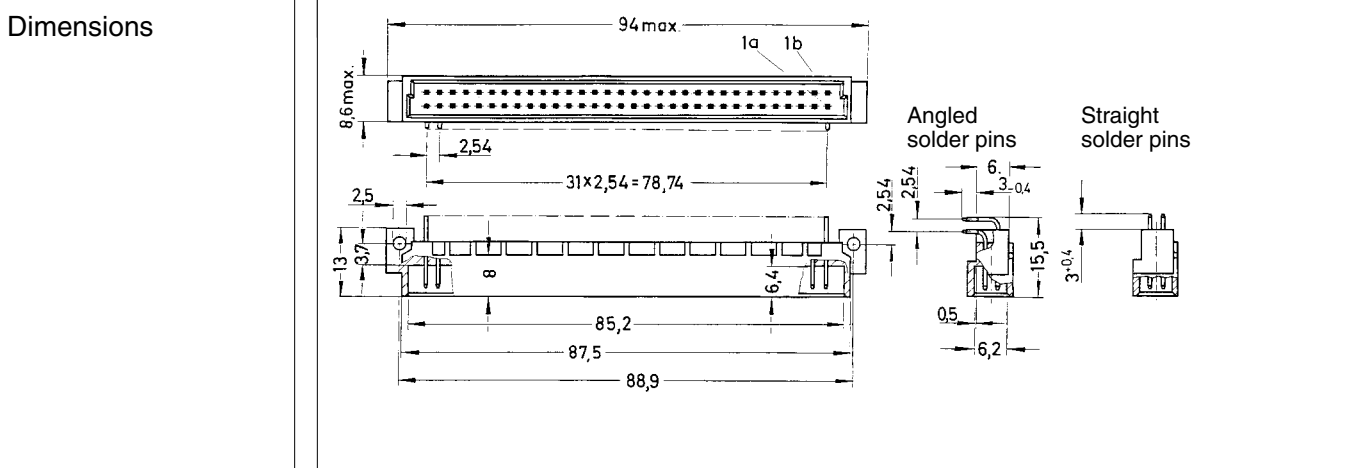
64

CTI > 400



Male connectors

Identification	Number of contacts	Contact arrangement	Part No.	Performance levels according to IEC 60 603-2.	
				3	2 1
Male connector with angled solder pins	64		09 02 164 7919	09 02 164 6919	Performance level 1 on request
Male connector with straight solder pins	64		Performance level 3 on request	09 02 164 6920	



Number of contacts

64

CTI > 400



Female connectors

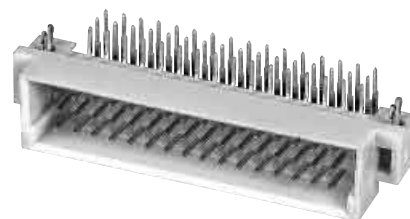
Identification	Number of contacts	Contact arrangement	Part No.	Performance levels according to IEC 60 603-2.	
				3	2 1
Female connector with solder pins 2.9 mm	64		Performance level 3 on request	09 02 264 6841	Performance level 1 on request
Female connector with solder pins 4.5 mm	64			09 02 264 6829	
Dimensions					
Panel cut out					
Board drillings Mounting side					
Cross section of solder terminations	<p>Cross area (A) of contacts row a, b: A = 0.20 - 0.23 mm²</p>				

Dimensions in mm

Number of contacts

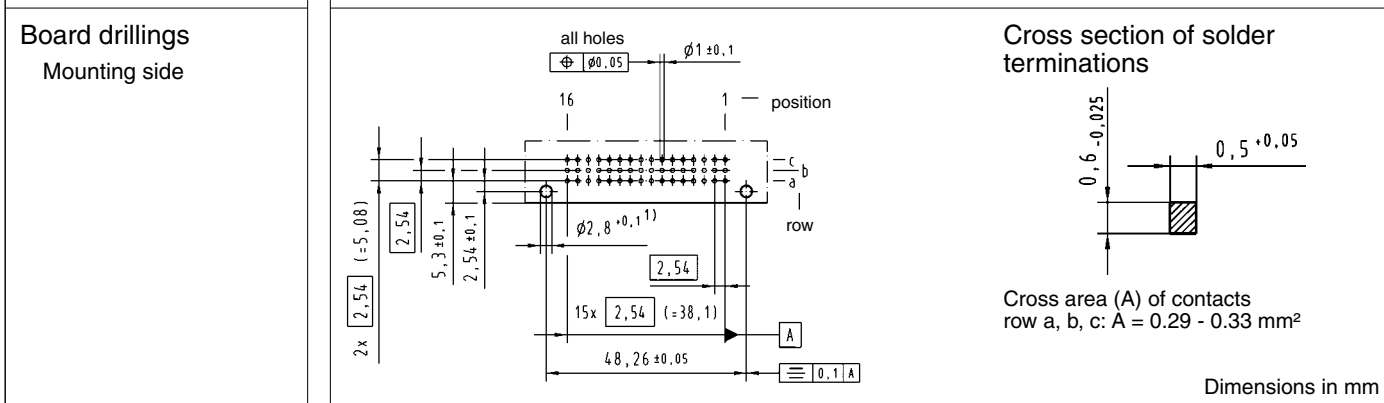
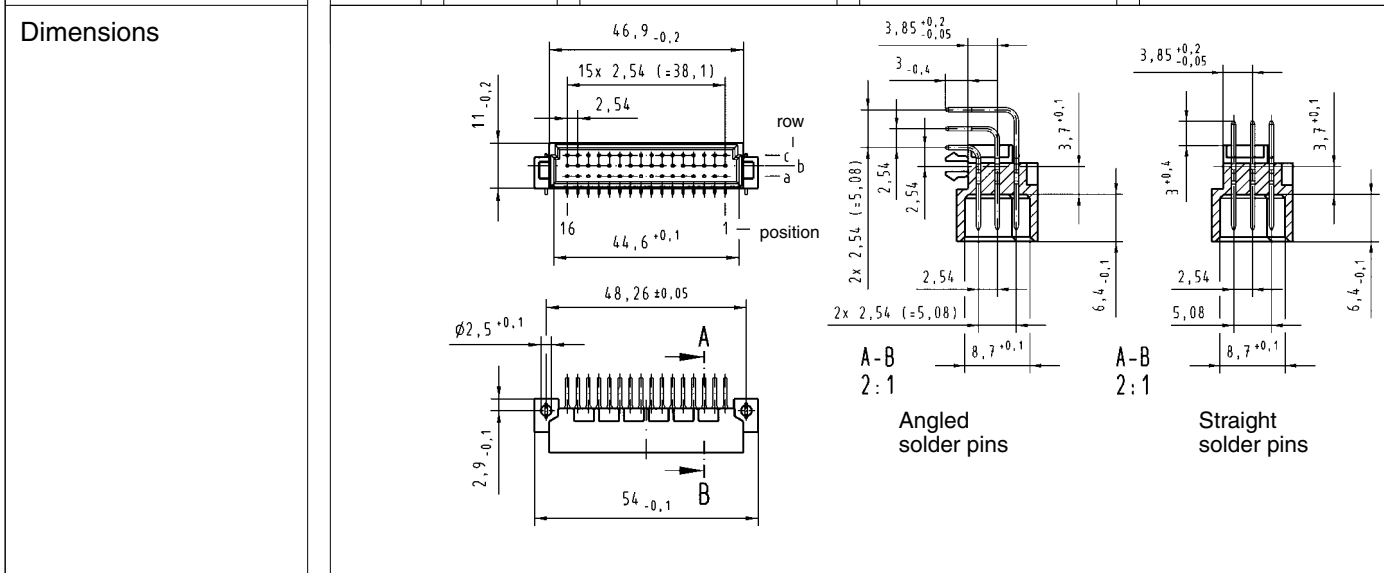
48, 32

CTI > 400



Male connectors

Identification	Number of contacts	Contact arrangement	Part No.	Performance levels according to IEC 60 603-2.		
				3	2	1
Male connector with angled solder pins without clip	48		09 23 148 7919	09 23 148 6919	09 23 148 2919	
	32					
	with clip	48		09 23 348 6919	09 23 348 2919	
		32		09 23 332 6919	09 23 332 2919	
Male connector with straight solder pins	48		09 23 148 6920			
	32		09 23 132 6920			

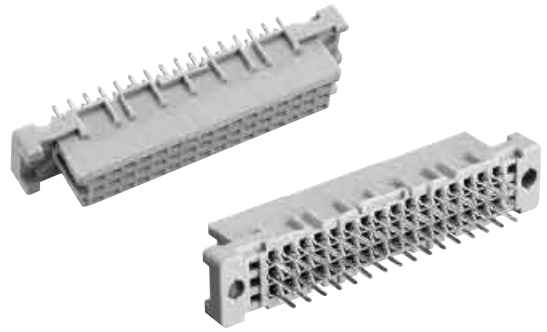


¹⁾ Recommendation for variants with clip: Drillings can be enlarged up to 3.1 mm ø to reduce standard mounting force

Number of contacts

48, 32

CTI > 400



Female connectors

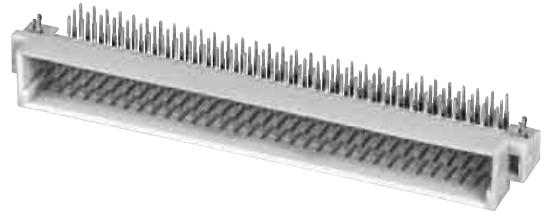
Identification	Number of contacts	Contact arrangement	Part No.	Performance levels according to IEC 60 603-2.				
				3	2	1		
Female connector with solder pins 2.9 mm	48 32		Performance level 3 on request	09 23 248 6841	Performance level 1 on request			
Female connector with solder pins 4.5 mm	48 32			09 23 248 6829 09 23 232 6829				
Dimensions	<table border="1" style="float: right; margin-left: 20px;"> <tr><td>a</td></tr> <tr><td>2.9</td></tr> <tr><td>4.5</td></tr> </table> <p>Solder pins</p>					a	2.9	4.5
a								
2.9								
4.5								
Board drillings Mounting side	<p>Cross section of solder terminations</p> <p>Cross area (A) of contacts row a, b, c: A = 0.20 - 0.23 mm²</p>							

Dimensions in mm

Number of contacts

96, 64

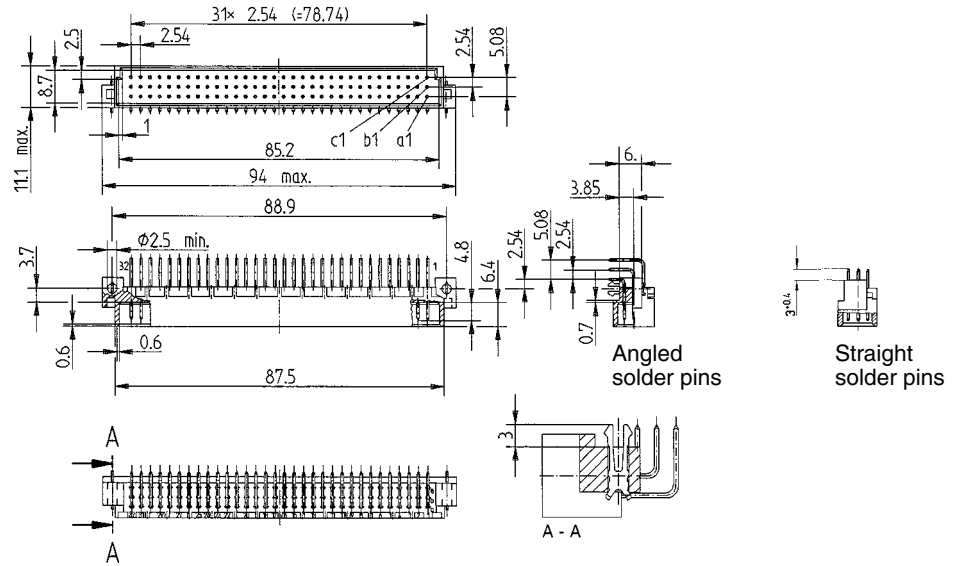
CTI > 400



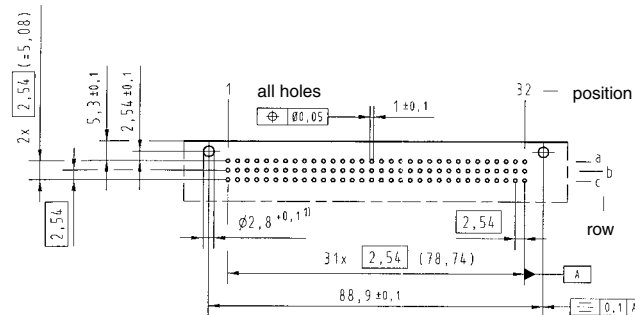
Male connectors

Identification	Number of contacts	Contact arrangement	Part No.	Performance levels according to IEC 60 603-2.		
				2	1	
Male connector with angled solder pins without clip	96		09 03 196 6919 09 03 696 6919 ^{c)}	09 03 196 2919		
	64		09 03 164 6919	09 03 164 2919		
	62 + 2 [▲]			09 03 164 2918		
	with clip	96		09 03 396 6919	09 03 396 2919	
		94 + 2 [▲]		09 03 396 6918		
		64		09 03 364 6919	09 03 364 2919	
Male connector with straight solder pins	96		09 03 196 6920			

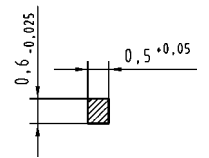
Dimensions



Board drillings
Mounting side



Cross section of solder terminations



Cross area (A) of contacts row a, b, c: A = 0.29 - 0.33 mm²

Dimensions in mm

▲ Male connectors with 2 leading contacts [(0.8 mm) pos. a1 and a32]. Lagging pins row b on request.

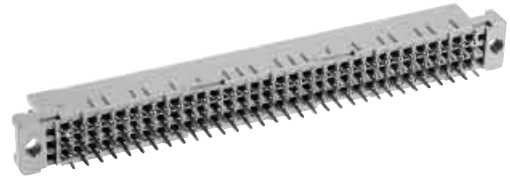
¹⁾ Recommendation for variants with clip: Drillings can be enlarged up to 3.1 mm ϕ to reduce standard mounting force

^{c)} Connectors with coding

Number of contacts

96, 64

CTI > 400



Female connectors

Identification	Number of contacts	Contact arrangement	Part No.	Performance levels according to IEC 60603-2.			
				3	2	1	
Female connector with solder pins 2.9 mm	96 64		Performance level 3 on request	09 03 296 6841	Performance level 1 on request		
Female connector with solder pins 4.5 mm	96 64			09 03 296 6829 09 03 264 6829			
Dimensions							
	<table border="1"> <tr><td>a</td></tr> <tr><td>2.9</td></tr> <tr><td>4.5</td></tr> </table> <p>Solder pins</p>					a	2.9
a							
2.9							
4.5							
Board drillings Mounting side							
	<p>Cross section of solder terminations</p> <p>Cross area (A) of contacts row a, b, c: A = 0.20 - 0.23 mm²</p>						

Dimensions in mm

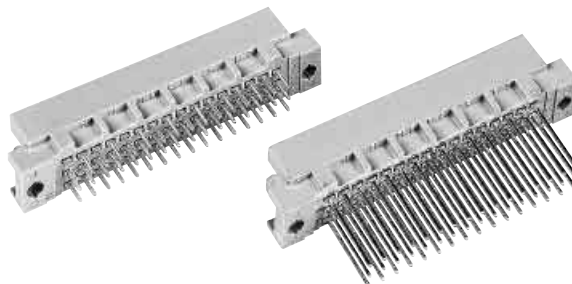
DIN 41 612 · complementary type 2R (SMC)



Number of contacts

48, 32

CTI > 400



Male connectors

Identification	Number of contacts	Contact arrangement	Part No.	Performance levels according to IEC 60 603-2.		
				3	2	1
Male connector with straight solder pins 2.5 mm	48		Performance level 3 on request	09 28 148 6519	Performance level 1 on request	
	32					09 28 132 6519
Male connector with straight solder pins 4.0 mm	48			09 28 148 6520		
	32			09 28 132 6520		
Male connector with straight solder pins 13 mm	48			09 28 148 6521		

Dimensions	Solder pins					
	<table border="1"> <tr><td>a</td></tr> <tr><td>2.5</td></tr> <tr><td>4</td></tr> <tr><td>13</td></tr> </table>	a	2.5	4	13	Solder pins
a						
2.5						
4						
13						

Board drillings	Mounting side

Cross section of solder terminations
<p>Cross area (A) of contacts row a, b, c: $A = 0.35 - 0.39 \text{ mm}^2$</p>