

## Features

- Designed for 10,000 mating cycles thanks to HMC surface in mating area
- Shielding bus separate from housing potential
- Ideal for the transmission of sensitive signals
- Suitable for Gigabit Ethernet Cat. 6A

## Technical characteristics

Specifications	DIN EN 60 664-1 DIN EN 61 984
----------------	----------------------------------

### Han® module adapter

Number of contacts	8
Insulation resistance	≥ 10 <sup>10</sup> Ω
Material	Polycarbonate
Limiting temperatures	-40 °C ... +85 °C
Flammability acc. to UL 94	V 0
Mechanical working life	≥ 10,000 mating cycles

### Han® GigaBit HMC insert

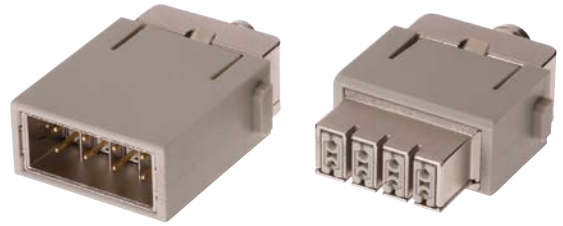
Number of contacts	8 + shielding
Electrical data acc. to DIN EN 61 984	<b>5 A 50 V 0.8 kV 3</b>
Rated current	5 A
Rated voltage	50 V
Rated impulse voltage	0.8 kV
Pollution degree	3
Rated voltage acc. to UL	< 30 V
Material	
- Insulator	Polycarbonate
- Outer conductor	Zinc alloy HMC
Contact resistance	≤ 4 mΩ
Limiting temperatures	-40 °C ... +85 °C
Mechanical working life	≥ 10,000 mating cycles
Flammability acc. to UL 94	V 0
Outer surface finish	Nickel
Cable diameter	5 ... 12 mm

### Han® D-Sub HMC crimp contacts

Crimp terminal	
- mm <sup>2</sup>	0.08 ... 0.52 mm <sup>2</sup>
- AWG	28 ... 20

Number of contacts

# 8



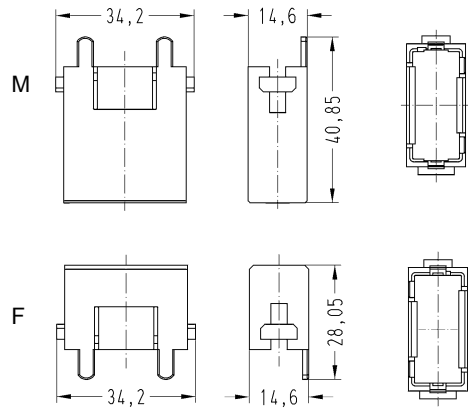
Identification	Part number		Drawing	Dimensions in mm
	Male insert (M)	Female insert (F)		

Han® module adapter



09 14 001 3011

09 14 001 3111



Identification	Wire gauge mm <sup>2</sup>	Part number		Drawing	Dimensions in mm
		Male contact	Female contact		

Han® GigaBit HMC module insert

20 + shield crimp contacts order separately



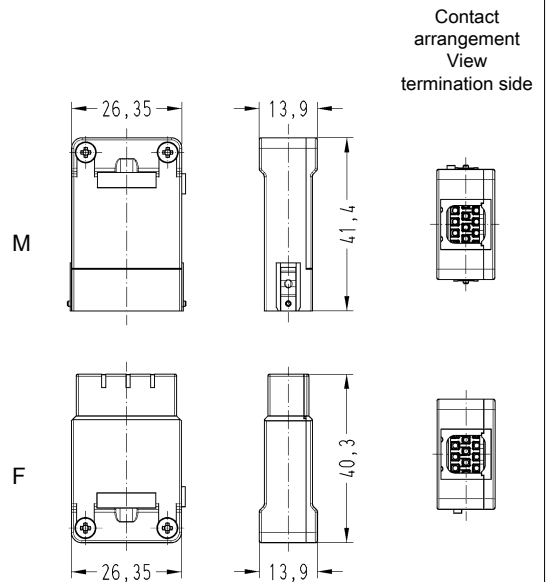
With additional shield connection to the hinged frame crimp contacts order separately

09 14 208 3011

09 14 208 3111

09 14 208 3012

09 14 208 3112



Han® D-Sub HMC crimp contacts

gold plated HMC



0,08-0,21  
0,13-0,33  
0,33-0,52

09 67 000 7570  
09 67 000 5570  
09 67 000 8570

09 67 000 7470  
09 67 000 5470  
09 67 000 8470

Wire gauge	∅	Stripping length of stranded wire
0.08 - 0.21 mm <sup>2</sup>	AWG 28-24	4 mm
0.13 - 0.33 mm <sup>2</sup>	AWG 26-22	4 mm
0.33 - 0.52 mm <sup>2</sup>	AWG 22-20	4 mm

Identification	Part number	Drawing	Dimensions in mm																																																						
<p><b>Crimp flange</b></p> <table border="0"> <tr> <td>D1</td> <td>D2</td> <td></td> </tr> <tr> <td>3.0</td> <td>4.0</td> <td>61 03 000 0062</td> </tr> <tr> <td>3.5</td> <td>4.5</td> <td>61 03 000 0063</td> </tr> <tr> <td>4.0</td> <td>5.0</td> <td>61 03 000 0064</td> </tr> <tr> <td>4.5</td> <td>5.5</td> <td>61 03 000 0065</td> </tr> <tr> <td>5.0</td> <td>6.0</td> <td>61 03 000 0066</td> </tr> <tr> <td>5.5</td> <td>6.5</td> <td>61 03 000 0166</td> </tr> <tr> <td>6.0</td> <td>7.0</td> <td>61 03 000 0067</td> </tr> <tr> <td>6.5</td> <td>7.5</td> <td>61 03 000 0068</td> </tr> <tr> <td>7.0</td> <td>8.0</td> <td>61 03 000 0069</td> </tr> <tr> <td>7.5</td> <td>8.5</td> <td>61 03 000 0070</td> </tr> <tr> <td>8.0</td> <td>9.0</td> <td>61 03 000 0071</td> </tr> <tr> <td>8.5</td> <td>9.5</td> <td>61 03 000 0165</td> </tr> <tr> <td>9.0</td> <td>10.0</td> <td>61 03 000 0072</td> </tr> </table>	D1	D2		3.0	4.0	61 03 000 0062	3.5	4.5	61 03 000 0063	4.0	5.0	61 03 000 0064	4.5	5.5	61 03 000 0065	5.0	6.0	61 03 000 0066	5.5	6.5	61 03 000 0166	6.0	7.0	61 03 000 0067	6.5	7.5	61 03 000 0068	7.0	8.0	61 03 000 0069	7.5	8.5	61 03 000 0070	8.0	9.0	61 03 000 0071	8.5	9.5	61 03 000 0165	9.0	10.0	61 03 000 0072															
D1	D2																																																								
3.0	4.0	61 03 000 0062																																																							
3.5	4.5	61 03 000 0063																																																							
4.0	5.0	61 03 000 0064																																																							
4.5	5.5	61 03 000 0065																																																							
5.0	6.0	61 03 000 0066																																																							
5.5	6.5	61 03 000 0166																																																							
6.0	7.0	61 03 000 0067																																																							
6.5	7.5	61 03 000 0068																																																							
7.0	8.0	61 03 000 0069																																																							
7.5	8.5	61 03 000 0070																																																							
8.0	9.0	61 03 000 0071																																																							
8.5	9.5	61 03 000 0165																																																							
9.0	10.0	61 03 000 0072																																																							
<p><b>Crimp ferrule</b></p> <table border="0"> <tr> <td>D3</td> <td>D4</td> <td></td> </tr> <tr> <td>5.0</td> <td>6.0</td> <td>61 03 000 0045</td> </tr> <tr> <td>5.5</td> <td>6.5</td> <td>61 03 000 0046</td> </tr> <tr> <td>6.0</td> <td>7.0</td> <td>61 03 000 0047</td> </tr> <tr> <td>6.5</td> <td>7.5</td> <td>61 03 000 0048</td> </tr> <tr> <td>7.0</td> <td>8.0</td> <td>61 03 000 0049</td> </tr> <tr> <td>7.5</td> <td>8.5</td> <td>61 03 000 0050</td> </tr> <tr> <td>8.0</td> <td>9.0</td> <td>61 03 000 0051</td> </tr> <tr> <td>8.5</td> <td>9.5</td> <td>61 03 000 0052</td> </tr> <tr> <td>9.0</td> <td>10.0</td> <td>61 03 000 0053</td> </tr> <tr> <td>9.5</td> <td>10.5</td> <td>61 03 000 0054</td> </tr> <tr> <td>10.0</td> <td>11.0</td> <td>61 03 000 0055</td> </tr> <tr> <td>10.5</td> <td>11.5</td> <td>61 03 000 0056</td> </tr> <tr> <td>11.0</td> <td>12.0</td> <td>61 03 000 0057</td> </tr> <tr> <td>11.5</td> <td>12.5</td> <td>61 03 000 0058</td> </tr> <tr> <td>12.0</td> <td>13.0</td> <td>61 03 000 0142</td> </tr> <tr> <td>12.5</td> <td>13.5</td> <td>61 03 000 0059</td> </tr> <tr> <td>13.0</td> <td>14.0</td> <td>61 03 000 0127</td> </tr> </table>	D3	D4		5.0	6.0	61 03 000 0045	5.5	6.5	61 03 000 0046	6.0	7.0	61 03 000 0047	6.5	7.5	61 03 000 0048	7.0	8.0	61 03 000 0049	7.5	8.5	61 03 000 0050	8.0	9.0	61 03 000 0051	8.5	9.5	61 03 000 0052	9.0	10.0	61 03 000 0053	9.5	10.5	61 03 000 0054	10.0	11.0	61 03 000 0055	10.5	11.5	61 03 000 0056	11.0	12.0	61 03 000 0057	11.5	12.5	61 03 000 0058	12.0	13.0	61 03 000 0142	12.5	13.5	61 03 000 0059	13.0	14.0	61 03 000 0127			
D3	D4																																																								
5.0	6.0	61 03 000 0045																																																							
5.5	6.5	61 03 000 0046																																																							
6.0	7.0	61 03 000 0047																																																							
6.5	7.5	61 03 000 0048																																																							
7.0	8.0	61 03 000 0049																																																							
7.5	8.5	61 03 000 0050																																																							
8.0	9.0	61 03 000 0051																																																							
8.5	9.5	61 03 000 0052																																																							
9.0	10.0	61 03 000 0053																																																							
9.5	10.5	61 03 000 0054																																																							
10.0	11.0	61 03 000 0055																																																							
10.5	11.5	61 03 000 0056																																																							
11.0	12.0	61 03 000 0057																																																							
11.5	12.5	61 03 000 0058																																																							
12.0	13.0	61 03 000 0142																																																							
12.5	13.5	61 03 000 0059																																																							
13.0	14.0	61 03 000 0127																																																							
<p><b>Cable clamp</b></p> <p>cable diameter approx. 5 ... 7 mm  cable diameter approx. 7 ... 10 mm  cable diameter approx. 10 ... 12 mm</p>	<p>61 03 000 0141  61 03 000 0044  61 03 000 0143</p>																																																								