



Features

- One piece through-hole-transformer for differential current measurement
- Max. cable diameter ~ 110mm
- HARAX ICD isolation displacement terminal for easy assembly
- Optimized housing for high holding forces up to 250 kg
- Increased protection degree (IP65)

Technical characteristics

Nominal primary current	10 A
Turns ratio	1 : 600
Power	0.05 VA
Class	3
Bandwidth	5 - 400 Hz
Thermal short time rated current I_{th}	60 kA für 1 s
Insulation level	3 kV
Insulation class	E
Protection class	IP65
Operating temperature range	-15 °C ... +55 °C
Weight	1.9 kg
Material housing	PA66-Gf25

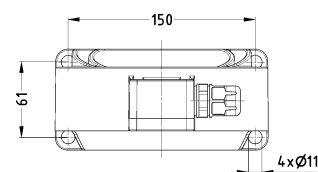
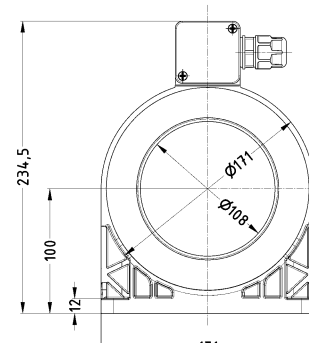
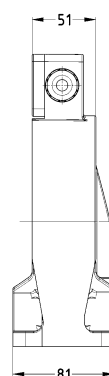
Identification

Balance transformer 10 A

Part-Number

20 32 001 7101

Drawing



HARTING Electric GmbH & Co. KG | Wilhelm-Harting-Straße 1 | D-32339 Espelkamp

Phone: +49 5772 47-97100 | Fax: +49 5772 47-495

Internet: www.HARTING.com | E-Mail: electric@HARTING.com

2014-09-02

Han® Data Sheet 0832