

Features

- Solder free PCB termination
- PCB contact with locking element
- Stamped contact element
- Automatic crimping process compatible
- For use with different Han® connectors
- Cost-effective
- Easy handling
- Fast assembly to PCB
- Contacts with pin
 - Locking directly on the PCB
- Contacts without pin
 - Fast positioning with plastic adapter

Description

The new connection of wires to the PCB offers optimized PCB design, combined with outstanding contact qualities. The Han-Fast® Lock is flexible and allows a fast and simple PCB connection. The PCB has one drilled hole and a pad. The inner surface of the plated drilled hole serves as the interface.

The Han-Fast® Lock is simply inserted into the plated through contact hole. The locking pin is pushed in and hence locks the contact into position. The solder free connection technique is easy to handle and to operate. Maintenance has been made simple with the facility to detach the contact.

Han-Fast® Lock also supports SMD assembly of the PCB.

- Current up to 60 A
- Standard drilled hole with pad
- Position independent of connector
- Solder free PCB termination
- Easy locking solution
- Straight and angled version

Technical characteristics

Contacts

Material	copper alloy
Surface	
- Hard-silver plated	3 µm Ag
Contact resistance	< 2 mΩ
Direction	straight or angled

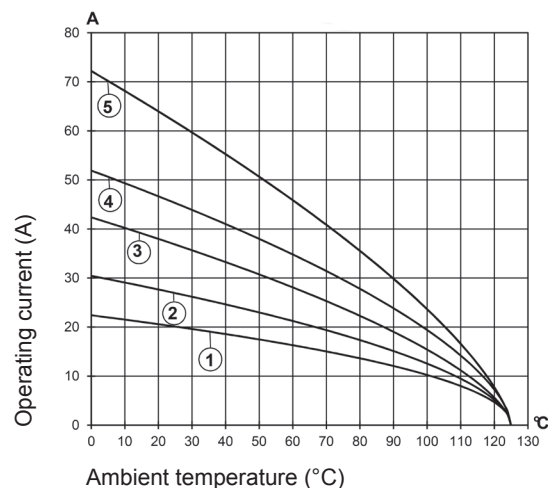
Locking

Material	copper alloy
Surface finish	passivation
Current 10 mm ² stranded wire	60 A
Voltage	clearance and creepage distances have to be considered
Board density	t = 1.6 - 3.2 mm

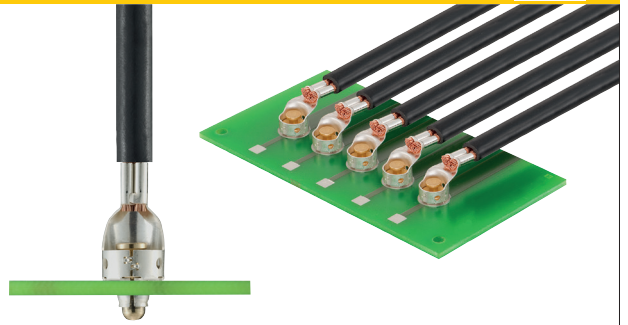
Current carrying capacity

The current carrying capacity of the connectors is limited by the thermal load capability of the contact element material including the connections and the insulating parts. The derating curve is therefore valid for currents which flow constantly (non-intermittent) through each contact element of the connector evenly, without exceeding the allowed maximum temperature.

Measuring and testing techniques according to DIN EN 60 512-5



- ① Wire gauge: 1.5 mm²
- ② Wire gauge: 2.5 mm²
- ③ Wire gauge: 4 mm²
- ④ Wire gauge: 6 mm²
- ⑤ Wire gauge: 10 mm²



Identification	Part number	Drawing	Dimensions in mm
<p>Contacts with pin on a reel 2300 piece</p> <p>1.5 to 2.5 mm²</p>	09 08 000 6122		
<p>Contacts without pin on a reel 2300 piece</p> <p>1.5 to 2.5 mm²</p>	09 08 000 6922		
Further plated surfaces on request			
<p>Single contacts with pin</p> <p>1.5 to 2.5 mm²</p>	09 08 000 7122		
<p>Single contacts with pin</p> <p>1.5 to 2.5 mm²</p>	09 08 000 7922		
Further plated surfaces on request			
<p>Single contacts with pin angled</p> <p>1.5 to 2,5 mm²</p> <p>4.0 to 6.0 mm²</p> <p>10.0 mm²</p>	<p>09 08 000 7222</p> <p>09 08 000 7223</p> <p>09 08 000 7224</p>		
Further plated surfaces on request			

Technical characteristics

Technical characteristics

Components

Contacts

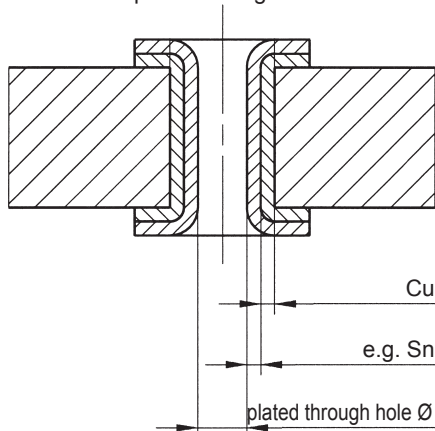
Material	Copper alloy
Surface	Hard silver plated, 3 µm Ag
Resistance	< 2 mΩ
Stripping length 1.5 - 2.5 mm ²	7.5 mm
Stripping length 4 - 6 mm ²	7.5 mm
Stripping length 10 mm ²	7.5 mm

Locking

Material	Copper alloy
Surface	Surface passivation
Current 10 mm ² wire	60 A
Voltage	Please consider clearance and creepage distances when ordering the printed circuit board
Recommended termination cycles	10 x
Limiting temperatures	-40 °C ... +105 °C

PCB

PCB thickness	t = 1.6 – 3.2 mm
Construction PCB	Depending on the required current carrying capacity
Recommended configuration of plated through holes acc. to DIN EN 60352-5 for PCBs	≥ 1.6 mm
Diameter plated through hole	d = 4.4 mm +0.05 mm / -0.04 mm



Chem. Sn PCB	Plated through hole Ø	4.4 mm
	Cu	min. 25 µm
	Sn	min. 0.7 µm

Au/Ni PCB	Plated through hole Ø	4.4 mm
	Cu	min. 25 µm
	Ni	min. 3 µm
	Au	min. 0.05 µm

Ag PCB	Plated through hole Ø	4.4 mm
	Cu	min. 25 µm
	Ag	min. 0.1 µm

Vibration

Vibration test	DIN EN 60 068-2-6 <ul style="list-style-type: none"> • 10 ... 500 Hz • 0.35 mm, 50 ms² • 2 h per axis
Shock	DIN EN 61 373 <ul style="list-style-type: none"> • Category 1b • 5g • 30 ms, 3 shocks per axis
Random vibration	DIN EN 61 373 <ul style="list-style-type: none"> • Category 1b • ASD-level 1.857 (m/s²)/Hz (a_{eff} : 7.9m/s²)

Test criteria

No disconnection >1 µs