


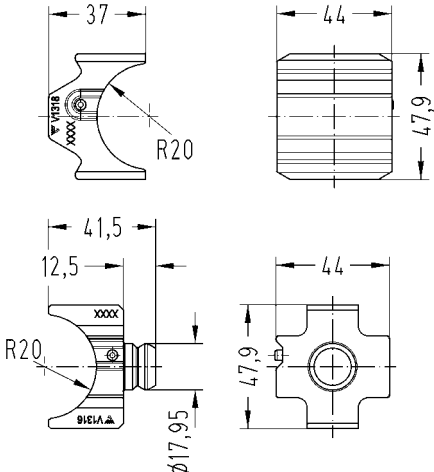


Tools for Han® High Current Contacts



For crimp contacts: TC 70, TC 100, TC 200, TC 250, TC 350, TC 650

Identification	Part number	Drawing	Dimensions in mm
<p>Crimp tool Battery hydraulic handtool Pressing force 130 kN</p>	09 99 000 0815		<ul style="list-style-type: none"> • Weight 5.4 kg, incl. battery • LED indication of charge status • Supplied with 2 batteries • Battery charger Li-Ion Makita, charging time 22 min.
<p>Die holder</p> <p>upper die holder</p>  <p>lower die holder</p> 	<p>09 99 000 0817</p> <p>09 99 000 0816</p>		
<p>Crimp die acc. to DIN 46 235 (supplied as pair) use only without die holder</p> <p>Wire gauge 185 mm²</p> <p>Wire gauge 240 mm²</p> <p>Remark: Die holder is only compatible with battery hydraulic hand crimp tool.</p>	<p>09 99 000 0818</p> <p>09 99 000 0819</p>	