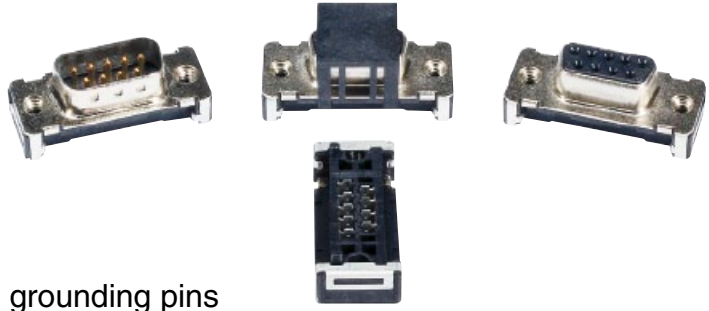


Number of contacts

9–37



SMT stamped solder pins, straight without grounding pins

Identification	No. of contacts	Part No.	
<b>Performance levels</b> Explanations see page 05.186 Other performance levels on request		Performance level <b>3</b>	
		Performance level <b>2</b>	
<b>Male connector</b> metal shell with dimples			
	9	09 55 129 78 .. 741	09 55 129 68 .. 741
	15	09 55 229 78 .. 741	09 55 229 68 .. 741
	25	09 55 329 78 .. 741	09 55 329 68 .. 741
	37	09 55 429 78 .. 741	09 55 429 68 .. 741
<b>Female connector</b> metal shell			
	9	09 55 115 76 .. 741	09 55 115 66 .. 741
	15	09 55 215 76 .. 741	09 55 215 66 .. 741
	25	09 55 315 76 .. 741	09 55 315 66 .. 741
	37	09 55 415 76 .. 741	09 55 415 66 .. 741
Please insert digit for flange thread or fitted female screw locks			
M3 ▶ 11 4-40 UNC ▶ 12 fixed screw locks M3 ▶ 21 fixed screw locks 4-40 UNC ▶ 22			

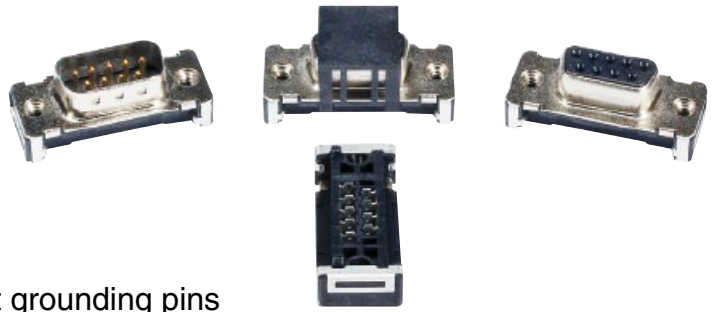
D-Sub

# D-Sub



Number of contacts

# 9-37



SMT stamped solder pins, straight without grounding pins

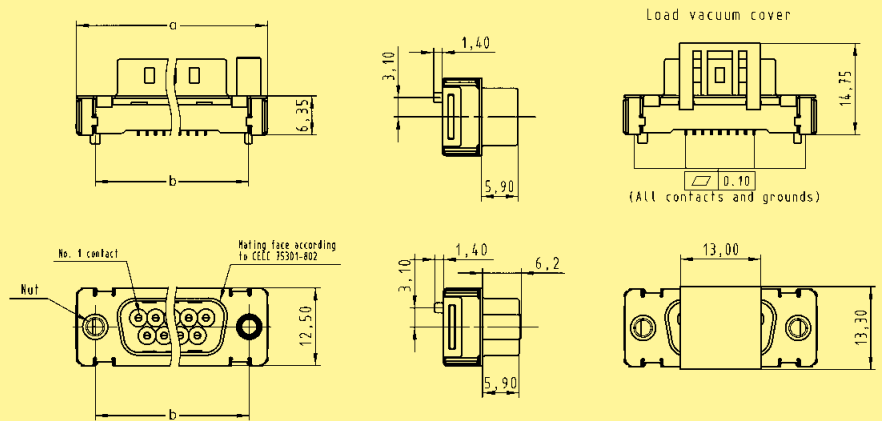
Identification

Drawing

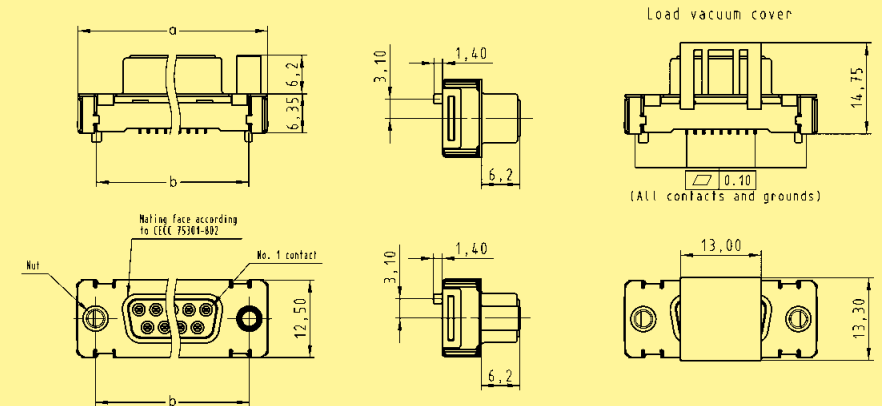
Dimensions in mm

Male connector

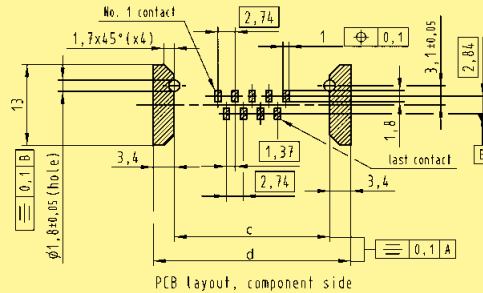
M3 or 4-40 UNC non-removable fitted screw locks M3 or 4-40 UNC



Female connector



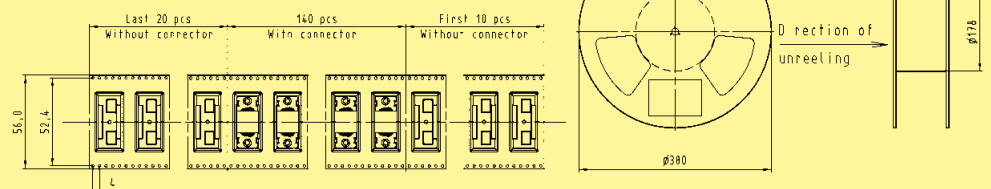
pcb layout



	a	b	c	d
9	31.12	25.00	25.0	31.8
15	39.45	33.33	33.3	40.1
25	53.35	47.04	47.0	53.8
37	69.62	63.50	63.5	70.3

Packaging

(1 reel = 140 pieces)  
Reel diameter = 380 mm



D-Sub

Number of contacts

9–37



SMT stamped solder pins, straight with grounding pins

Identification	No. of contacts	Part No.	
<b>Performance levels</b> Explanations see page 05.186 Other performance levels on request		Performance level <b>3</b>	
		Performance level <b>2</b>	
<b>Male connector</b> metal shell with dimples			
	9	09 55 169 78 .. 741	09 55 169 68 .. 741
	15	09 55 269 78 .. 741	09 55 269 68 .. 741
	25	09 55 369 78 .. 741	09 55 369 68 .. 741
	37	09 55 469 78 .. 741	09 55 469 68 .. 741
<b>Female connector</b> metal shell			
	9	09 55 155 76 .. 741	09 55 155 66 .. 741
	15	09 55 255 76 .. 741	09 55 255 66 .. 741
	25	09 55 355 76 .. 741	09 55 355 66 .. 741
	37	09 55 455 76 .. 741	09 55 455 66 .. 741
Please insert digit for flange thread or fitted female screw locks			
	M3 ▶ 11		
	4-40 UNC ▶ 12		
	fixed screw locks M3 ▶ 21		
	fixed screw locks 4-40 UNC ▶ 22		

D-Sub

# D-Sub



Number of contacts

# 9-37



SMT stamped solder pins, straight with grounding pins

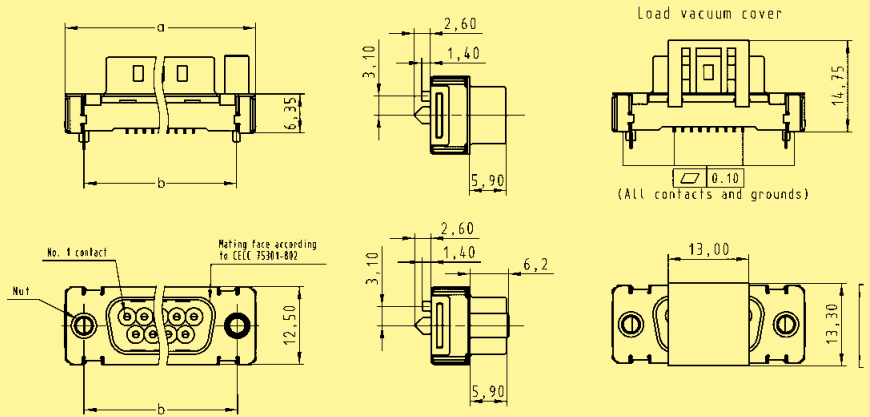
Identification

Drawing

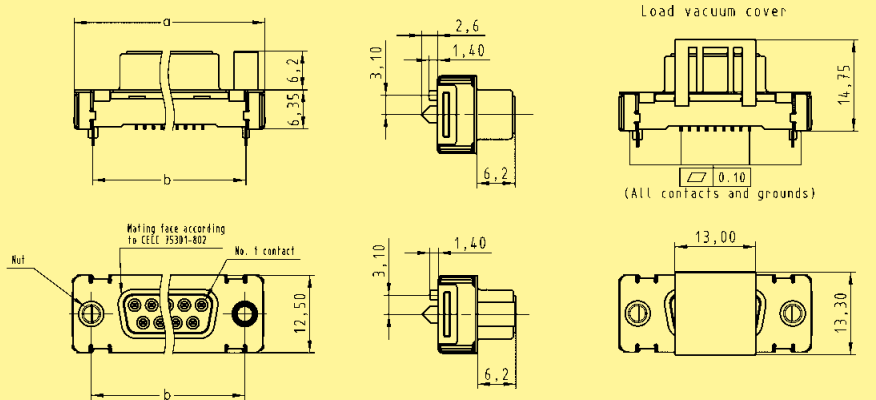
Dimensions in mm

Male connector

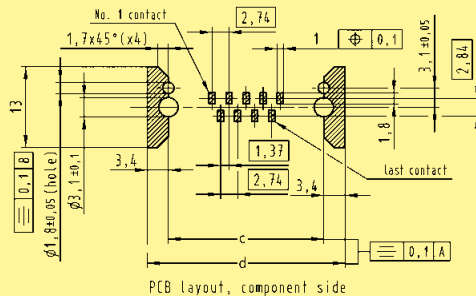
M3 or 4-40 UNC non-removable fitted screw locks M3 or 4-40 UNC



Female connector



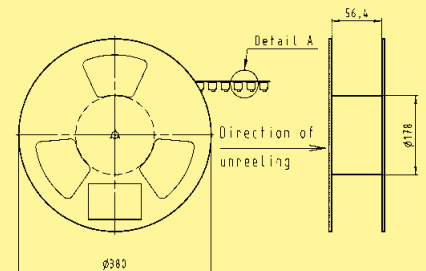
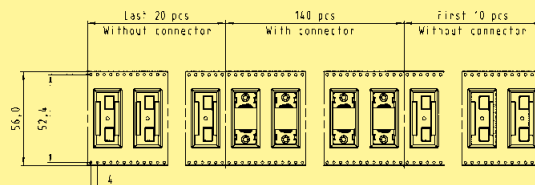
pcb layout



	a	b	c	d
9	31.12	25.00	25.0	31.8
15	39.45	33.33	33.3	40.1
25	53.35	47.04	47.0	53.8
37	69.62	63.50	63.5	70.3

Packaging

(1 reel = 140 pieces)  
Reel diameter = 380 mm



D-Sub