


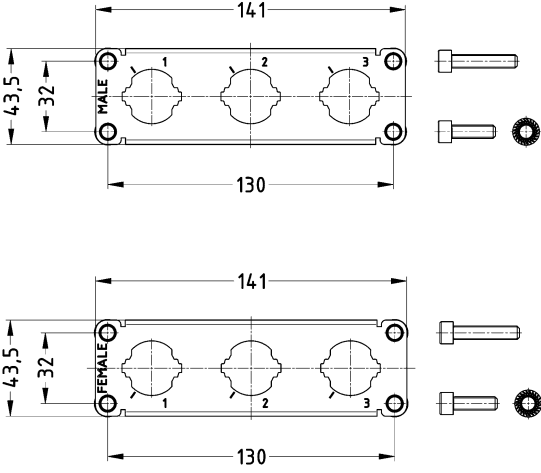

Features

- Frames for Han® HC Modular 250 contacts for use in Han® 24 HPR enlarged hoods and housings

Technical characteristics

Frames

Material	stainless steel
Number of pins	3 and 4 pins
Tightening torque M6 fixing screws	10 Nm

Identification	Part number		Drawing	Dimensions in mm
	male	female		
<p>Frame for 3 x Han® HC Modular 250 enlarged</p> <p>Range of delivery: 4 x cheese-head screw M6 x 20 4 x cheese-head screw M6 x 25 4 x washer SK S6</p> 	09 11 000 9931	09 11 000 9932		
<p>Frame for 4 x Han® HC Modular 250 enlarged</p> <p>Range of delivery: 4 x cheese-head screw M6 x 20 4 x cheese-head screw M6 x 25 4 x washer SK S6</p> 	09 11 000 9927	09 11 000 9928	