


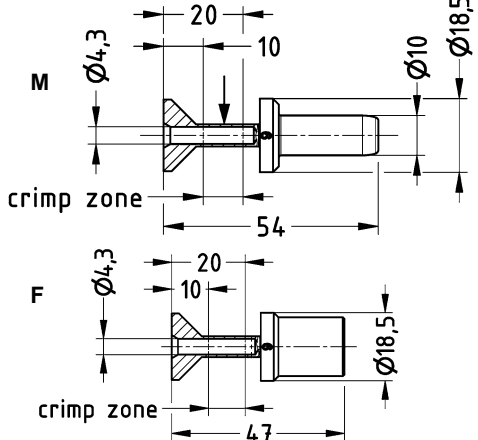

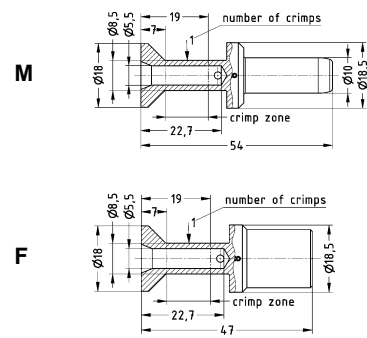
Features

- Crimp terminal
- For stranded wire acc. to IEC 60 228 Class 5
- Low mating and demating forces
- For crimp dies acc. to DIN 46 235
- Contacts suitable for Han® HC Modular 250 inserts 09 11 001 3021 and 09 11 001 3121

Technical characteristics

Contacts

Material	copper alloy
Surface	silver plated
Contact resistance	≤ 0.3 mΩ
Rated current	250 A
Limit temperature	-40 °C ... 125 °C
Mating cycles	≥ 500

Identification	Cross-section mm ²	Part number		Drawing	Dimensions in mm												
		Male contact	Female contact														
Han® TC 250 Crimp contact 	10	09 11 000 6184	09 11 000 6284														
Han® TC 250 Crimp contact 	16	09 11 000 6185	09 11 000 6285		<table border="1"> <thead> <tr> <th>Cross-section</th> <th>Tool identification</th> <th>Stripping length</th> <th>Ø</th> </tr> </thead> <tbody> <tr> <td>10 mm²</td> <td>6</td> <td>22 mm</td> <td>4.3 mm</td> </tr> <tr> <td>16 mm²</td> <td>8</td> <td>22 mm</td> <td>5.5 mm</td> </tr> </tbody> </table> <p>For stranded wire according to IEC 60 228 Class 5</p>	Cross-section	Tool identification	Stripping length	Ø	10 mm ²	6	22 mm	4.3 mm	16 mm ²	8	22 mm	5.5 mm
Cross-section	Tool identification	Stripping length	Ø														
10 mm ²	6	22 mm	4.3 mm														
16 mm ²	8	22 mm	5.5 mm														