

Number of contacts

4

48 V
12 A



Features

- One connection for the power input, the power output and to connect with the device
- Compact, space-saving design
- Finger safe acc. to IEC DIN EN 60 529
- Polarisation with the aid of coding pins
- Cable side: Male with crimp termination
- 4 different coding variants without loss of contact

Technical characteristics

Contacts	4
Electrical data acc. to IEC 61 948	12 A 48 V 1.5 kV 3
Rated current	12 A
Rated voltage	48 V
Rated impulse voltage	1.5 kV
Pollution degree	3
Insulation resistance	≥ 10 ¹⁰ Ω hm
Flammability acc. to UL 94	V 0
Mating cycles	≥ 750
Degree of protection acc. to IEC DIN EN 60 529	IP65 / IP67
Material hoods/housings	polyamide
Colour hoods/housings	RAL 9005 (black)

Identification

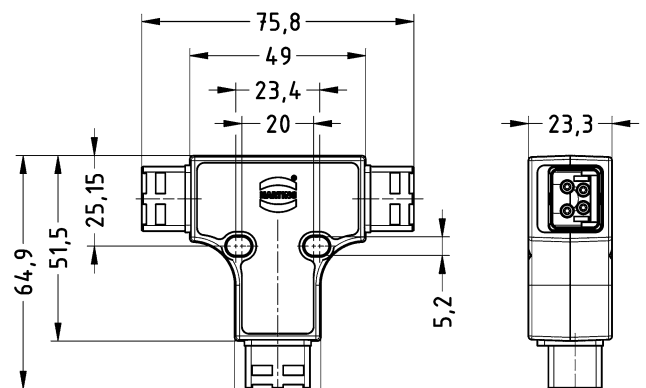
Part number

Drawing

Dimensions in mm

Han-Power® T with
3 x HARTING PushPull Power

09 12 008 4770



HARTING Electric GmbH & Co. KG | Wilhelm-Harting-Straße 1 | D-32339 Espelkamp

Phone: +49 5772 47-97100 | Fax: +49 5772 47-495

Internet: www.HARTING.com | E-Mail: electric@HARTING.com

2016-02-16