

Transponder
Ha-VIS RFID Steel ID 86 S Coin - BSR

Features

- Optimised for the EU frequency band
- The Steel ID Coin is readable from both sides
- Extremely robust housing
- Mechanical shock resistance IK10
- Flexible mounting with screws, rivets, wire
- Protection class IP67
- Application:
 - Maintenance of portable equipment

General description

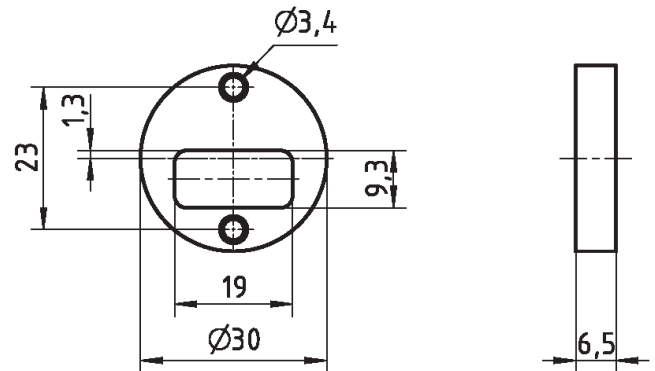
- Particularly robust and durable transponders for repair and maintenance applications in extremely harsh environments, where a high mechanical protection is required.
- The steel ID coin is optimised to use in industry to improve the maintenance process of portable equipment with an RFID solution.
- To have a better localisation of the objects (equipped with the Steel ID Coins) the read range is reduced to 10 cm.
- EPC Class 1 Gen 2 compatible

Identification	Part-Number	Drawing	Dimensions in mm
----------------	-------------	---------	------------------

Ha-VIS RFID
Steel ID 86 S Coin - BSR

Packaging unit: 10 pieces

20 92 611 1101



Technical characteristics

Frequency range	860 ... 870 MHz EU frequency band	
Protocol	EPC Class 1 Gen 2	
EPC / User Memory (Chip)	128 Bit / 512 Bit	(Monza 4QT)
Temperature range		
Operational	-45 °C ... +85 °C	
Storage	-45 °C ... +105 °C	
Housing		
Dimensions (d x H)	30 x 6.5 mm	
Protection class	IP67	
Mounting	screws, rivets, wire	

Measurements

Read Range with RFID UHF Handheld (0.5 W ERP)	approx. 10 cm
Possibility to read the Coin from both sides	yes
Function on metallic surfaces	yes