



Ha-VIS RFID RF-R200 Reader

Advantages

- One internal antenna (up to 30 cm)
- Three external antennas (SMA)
- Flexible through large external antenna portfolio
- Power over Ethernet
- For distributed identification points
- Small size and DIN rail mounting
- Easy integration in machines or cabinets

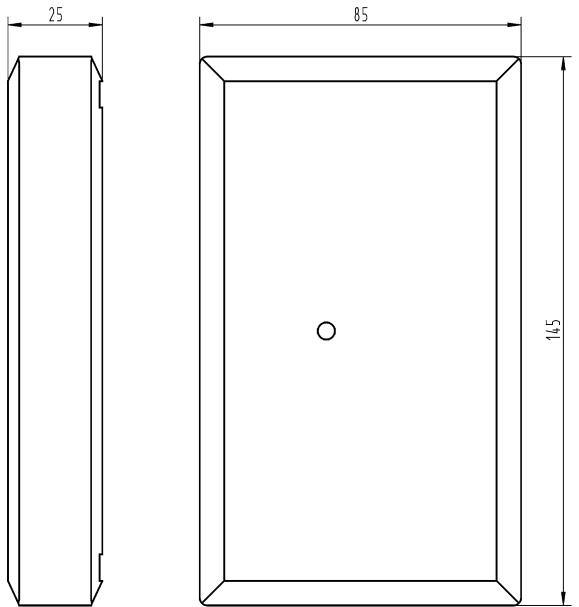
General Description

The Ha-VIS RF-R200 is a cost-efficient mid range reader licensed according to ETSI, FCC und IC.

Due to its very compact design, the Ha-VIS RF-R200 is best suited for integration in machines as well as office applications

Characteristics:

- very compact
- can easily be integrated in machines
- internal antenna for applications with limited space
- external antennas makes numerous application possible
- 0.5 W transmission power
- Power over Ethernet

Identification	Part number	Drawing	Dimensions in mm
Ha-VIS RFID RF-R200-PoE	20 91 106 1101		
Ha-VIS RFID RF-R200 (module) (no housing)	20 91 106 1103		
Optional accessories			
DIN Rail mounting Kit for RF-R200	20 93 102 0202		
Mounting Kit (screwings)	20 93 102 0203		
Power supply (EU)	20 93 310 0203		

Technical characteristics

Transponder protocol	EPC class Gen2 (ISO 18000-6-c)
UHF RFID antenna interface	
Antenna connection	one internal antenna (up to 20 cm read range) 3 x SMA connector (50 Ohm)
Transmitting Power	max. 0.5 W configurable
Frequency area	860 MHz ... 960 MHz (depending on specific reader)
Interfaces	<ul style="list-style-type: none"> RF-R200 (PoE) Ethernet (TCP/IP) 10/100 Mbit/s; Full Spec. 802.3 RF-R200 (module); RS 323 (serial), USB
Performance	
Max. Operating Distance	Up to 2 m, depending on transponder & environmental conditions
Protocol Modi	<ul style="list-style-type: none"> Host Mode Notification Mode (Ha-VIS RFID RF-R200 (PoE)) Scan Mode (Ha-VIS RFID RF-R200 (module)) Buffered read mode
Power Supply	
Power supply	12 V ... 24 V DC
Power consumption	max. 7 W
Design features	
Dimensions (W x H x D)	145 x 85 x 27 mm
Degree of protection acc. to DIN 60 529	IP 30
Installation on DIN rail	DIN rail mounting kit (optional accessories)
Environmental conditions	
Operating temperature	-25 °C ... +45 °C (PoE) -25 °C ... +55 °C (module)
Storage temperature	-25 °C ... +85 °C
Relative humidity	5 % ... 95 % (non-condensing)
Vibration	EN 60 068-2-6 10 Hz ... 150 Hz: 0.075 mm / 1 g
Shock	EN 60 068-2-27 Acceleration: 30 g

Technical characteristics

Norms & Safety

Radio license

- EN 302 208
- FCC 47 FCR Part 15
- IC RSS-GEN, RSS-210

EMC

EN 301 489

Safety

EN 60 950

RoHS compliant

Extras

- Internal overheating control
- Demo- and configuration software Ha-VIS RFID config